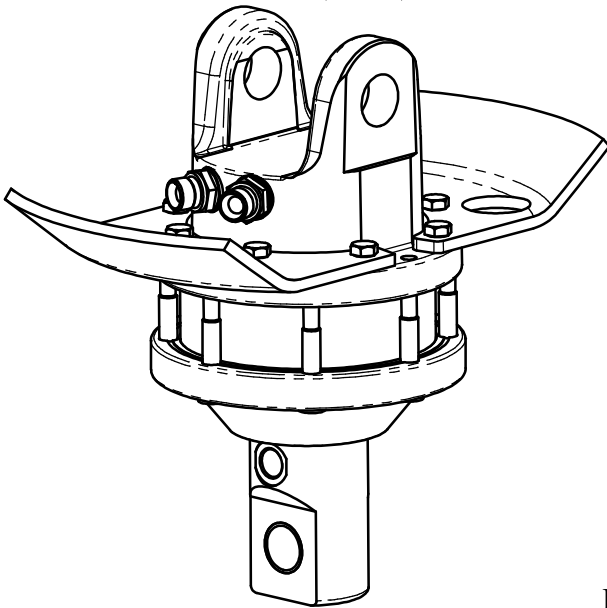
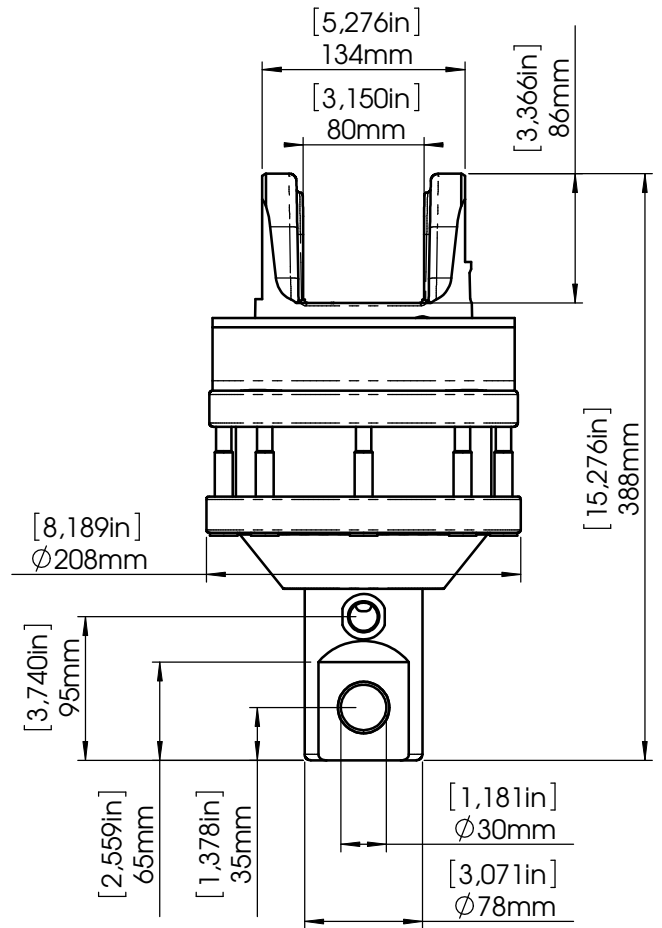
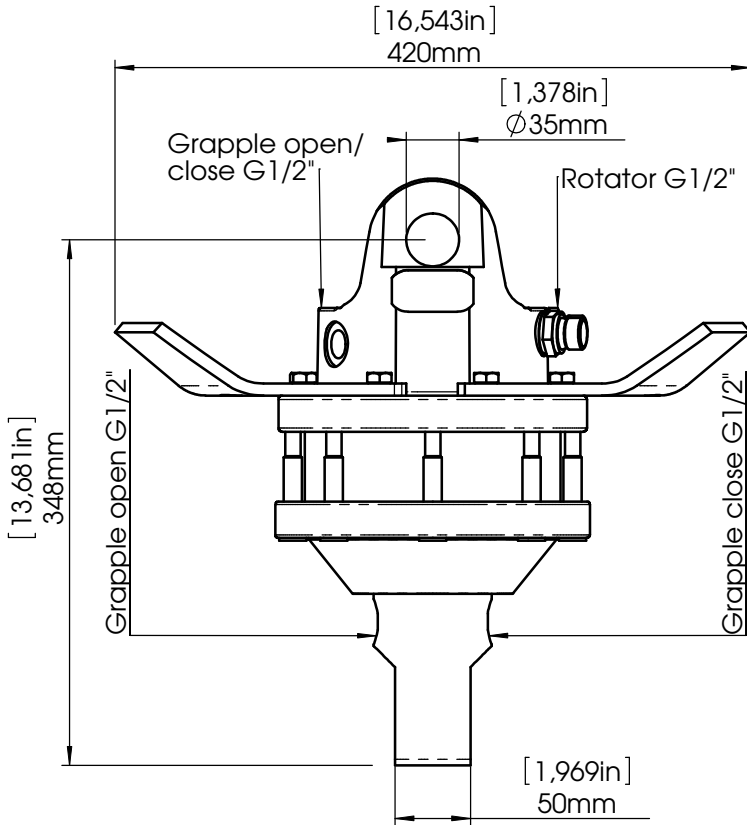
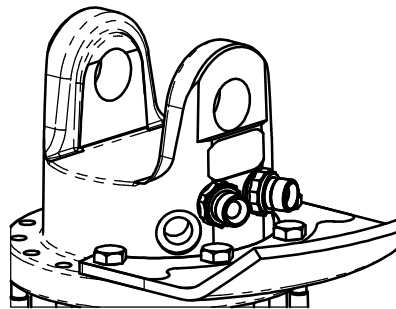


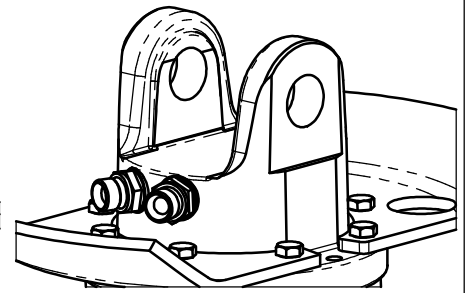
Rotator FR 21 T50



Direction W



Direction X



FR 21 A T50	
Rotation angle	Unlimited
Max. working pressure	200 bar
Displacement	543 cm ³
Torque (200 bar)	1350 Nm
Max. axial force	112 kN
Safe working load	7500 kg
Weight	39 kg

Basic models				
Item	Name	Direction	D1	D2
12107	FR 21-X35A30T50	X	35	30
12108	FR 21-W35A30T50	W	35	30